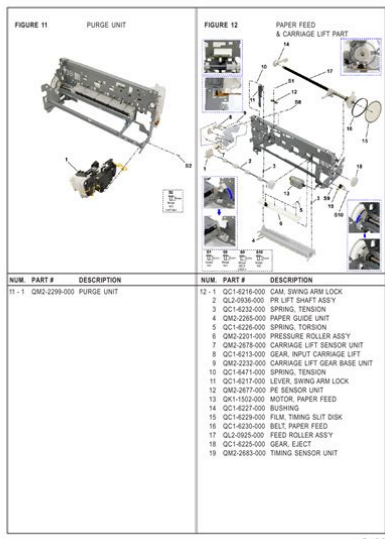


Parts Catalog

PIXMA iP6700D



File Name: canon ip6700d user manual.pdf

Size: 4741 KB

Type: PDF, ePub, eBook

Category: Book

Uploaded: 7 May 2019, 23:46 PM

Rating: 4.6/5 from 740 votes.

Status: AVAILABLE

Last checked: 11 Minutes ago!

In order to read or download canon ip6700d user manual ebook, you need to create a FREE account.

[Download Now!](#)

eBook includes PDF, ePub and Kindle version

[Register a free 1 month Trial Account.](#)

[Download as many books as you like \(Personal use\)](#)

[Cancel the membership at any time if not satisfied.](#)

[Join Over 80000 Happy Readers](#)

Book Descriptions:

We have made it easy for you to find a PDF Ebooks without any digging. And by having access to our ebooks online or by storing it on your computer, you have convenient answers with canon ip6700d user manual . To get started finding canon ip6700d user manual , you are right to find our website which has a comprehensive collection of manuals listed.

Our library is the biggest of these that have literally hundreds of thousands of different products represented.



Book Descriptions:

canon ip6700d user manual

For details, contact your local Canon service 21 representative. Refer to "Direct Printing Advanced" in the User's Guide or the Bluetooth User's Guide. Refer to "Direct Printing Advanced" in the User's Guide. Sticker print Prints photos on the Canon Photo Stickers. Refer to "Direct Printing Advanced" in the User's Guide. Print all photos Prints all photos in the memory card. If you use a CompactFlash CF card or Microdrive Insert it into the left slot until it stops with its end projecting as shown. After using the card slot as the memory card drive of the computer, remove the memory card, then be sure to select Readonly mode again. See "Media Types for Card Direct Printing" on page 13 for compatible paper. 1 1 1 1 Flatten the four corners of the paper before loading it. Loading paper in landscape orientation can cause the paper to be jammed. Portrait Landscape Do not touch the printed surface until the ink dries. For specific drying times, refer to the instructions packaged with your media. Cassette lamp 1 1. Put your fingers in the notches in either side of the paper output tray and pull down to open it. 2. To Change Print Settings This section describes the steps to change the print settings using the Effects setting as an example. For information on each item, see "Print Setting Items". Photo Paper Pro, Photo Plus Glossy, Matte Photo Paper, Glossy Photo Paper, Plain paper 3 Select the printing quality. If you leave the printer more than five minutes without using any button on the operation panel, the LCD goes into sleep mode automatically. Press the OK button to turn on the LCD again. The print confirmation screen is displayed. See "Preparing to print" on page 16. 2 2 2 2 Select the print mode. Some types of the PictBridge compliant devices turn on automatically when connected to the printer. When replacing them, check the model numbers and their installation positions. With this printer, ink tanks must be installed from the left in the order indicated below. <http://e-clunty.cz/UserFiles/ibm-thinkpad-600e-manual.xml>

- **canon ip6700d user manual, canon ip6700d service manual, canon pixma ip6700d service manual, canon pixma ip6700d user manual, 1.0, canon ip6700d user manual, canon ip6700d service manual, canon pixma ip6700d service manual, canon pixma ip6700d user manual.**

Black Cyan PhotoCyan. Confirm the message displayed on the LCD. Ink is low The symbol appears above an ink tank that is low. When printing starts, the message is displayed on the LCD. Obtain a replacement tank as soon as possible. Do not touch the electrical contacts. Doing so can cause the printer to malfunction or become unable to print. 1 Unpack the new ink tank and completely pull off the orange tape. Then, remove the film. 2 Remove the orange protective cap from the bottom of the ink tank and discard it. The print head holder moves to the right. Contact a Canon service representative. If the ruled lines are shifted Step1 "Aligning Print Head Auto head align" on page 31. Use this function when printed results are blurred or the color is incorrect. Note that cleaning the print head causes ink used for cleaning to be absorbed in the ink absorber. Cleaning the print head consumes ink, so perform print head cleaning only when necessary. Ensure that the inner cover is closed. Contact a Canon service representative. Print head alignment is performed automatically. Contact a incorrect. Install the correct Canon service representative. print head. Once the ink absorber becomes completely full, printing cannot be performed until the ink tank is replaced. Please be advised that Canon shall not be liable for any printer malfunction or damage caused by refilled ink tanks. Make sure that the correct ink tank color is inserted in each position. Follow the steps described below to clean the inside of the printer. 1 Ensure that the printer is turned on and there is no paper loaded in the auto sheet feeder. If repeating this procedure three times or more does not solve the problem, contact a Canon service representative. If this happens,

reduce the number of pages loaded to about the half the recommended maximum stack approx. The paper is fed and the jammed paper is ejected accordingly. <http://textmakareknutsson.se/upload/image/ibm-thinkpad-600e-instruction-manual.xml>

If you cannot remove the paper or if the paper jam error continues after removing the paper, contact a Canon service representative. If you cannot remove the paper or if the paper tears inside the printer, or if the paper jam error continues after removing the paper, contact a Canon service representative. Wait until the jammed paper is automatically ejected. If you cannot remove the jammed paper or if the paper jam error continues after removing the paper, contact a Canon service representative. This section describes errors that are indicated on Canonbrand

PictBridgecompatible cameras. The error messages and operations may vary depending on the camera you are using. If you cannot clear the error on your device, check the error message displayed on the LCD of the printer, and then clear it. Please be advised that Canon shall not be liable for any printer malfunction or damage caused by refilled ink tanks. For more details, refer to the CDR Print Guide. The guide screen will be displayed. When the message "Processing. Printing on this paper is available only when the Layout function on your camera has a 16up option. Refer to "Direct Printing Advanced". For details on Ink Tank replacement, refer to "Replacing an Ink Tank" in this guide. All statements, technical information and recommendations in this manual and in any guides or related documents are believed reliable, but the accuracy and completeness thereof are not guaranteed or warranted, and they are not intended to be, nor should they be understood to be, representation or warranties concerning the products described. For more information, view the iP6700D User's Guide, Printer Driver Guide, and Photo Application Guide installed on your computer, or use the online help within your printer driver interface While in the printer's properties window, press the F1 key, or click upper right corner.

About the Power Plug When removing the power plug after turning off the printer, be sure to check that the POWER lamp is not lit. Print Media to Avoid Do not use the following types of paper. Loading paper in the auto sheet feeder is easy, and is convenient if you frequently switch to and print on various sizes or types of paper. Loading paper in the cassette allows you to print without reloading paper for each job. This is useful for printing onto a large volume of paper. To use this feature, you need to configure the printer driver beforehand. Flatten the four corners of the paper before loading it. Load limit mark Do not load beyond this load limit mark. 3 Pinch the paper guide and slide it against the left side of the paper stack. You can use general copy paper or Canon's Super White Paper. You can load up to 150 sheets of plain paper 64 gsm or 17 lb, 13 mm or 0.52 inches in height in the auto sheet feeder. Do not use envelopes with embossed or treated surfaces, a double flap, pressure seals or sticker flaps. See "Using Specialty Media Loading Plain Paper in the Cassette Ensure that the paper is loadable in the cassette. For detailed information on the specialty media Canon provides for use with its various printers, see "Using Specialty Media Refer to "Printing Media". You can load up to 150 sheets of plain paper 64 gsm or 17 lb, 13 mm or 0.52 inches in height in the cassette. However, do not stack more than 50 sheets in the paper output tray. Prepare the Paper Output Tray. You can also select the paper source with the printer driver. Do not use envelopes with embossed or treated surfaces, a double flap, pressure seals or sticker flaps. This may cause paper discoloration due to natural aging. For a detailed description of the printer driver settings, see "Printing with Windows" on page 20, or "Printing with Macintosh Windows Windows Windows. When the auto sheet feeder lamp is lit, paper is fed from the auto sheet feeder.

When the cassette lamp is lit, paper is fed from the cassette. Create a document or open a file to print. Open the printer properties dialog box. From the Page Setup tab, select the correct document size to be printed. If the size is different from that set in the application, then you need to set it to the same size or use Scaled Printing or FittoPage. Refer to the Printer Driver Guide. See "Canceling Printing Canceling Printing" on page 27. Canceling Printing Canceling Printing 1 Click Print or OK.

Basic Printing. For details, refer to the documentation for each software application you use. The steps described in this section are for printing in Mac hereafter called Macintosh You can use EasyPhotoPrint to easily do print operations when printing photographs. Paper Size Paper Size 1 Select Page Setup from the application software's File menu. The Page Setup dialog box opens. Specify the required settings. 1 Select Print from the application software's File menu. The Print dialog box opens. Basic Printing 2 Confirm that iP6700D is selected in Format for. For a detailed description of the Paper Source settings, refer to the Printer Driver Guide. When you select the print mode appropriate to your document from Print Mode, the document will be printed in color and at a print quality suited to the characteristics of the Media Type you have selected. See "Canceling Printing Canceling Printing" on page 27.If you are using Mac OS X v.10.2.8, click on the printer icon in the Dock to start up the Print Center and doubleclick on the name of your printer in the Printer List to open a list of print jobs in progress. This manual refers to Windows XP SP2 operation. The operations may vary depending on the version of your Windows operating system. When opening the printer properties dialog box from Properties, the tabs related to the Windows function e.g., the Ports tab, or the Details tab are displayed.

These tabs are not displayed, when the printer properties dialog box is opened from Printing Preferences or application programs. When replacing them, check the model numbers and their installation positions. With this printer, the ink tanks must be installed in the order from left to right indicated below Black CLI8BK Cyan CLI8C. Follow the procedures below to clean the nozzles. If the ruled lines are shifted after running the print head maintenance, align the print head. Refer to the User's Guide for additional information on topics not covered in this section. When an error message is displayed on the LCD, refer to "An Error Message is Displayed on the LCD". Your environment is not fully compatible When You with USB 2.0. Connect to a Computer Running Windows XP, the. Clear the Prevent paper abrasion check box once printing is complete, and then click Send. Replace the ink tank and close the cover. Printer port setting does not match the interface connected to the printer Faulty connection. Do not attempt to use printer in any way not described in this manual. You may cause an electric shock, fire or damage the printer if you ignore any of these safety precautions. Choosing a location Do not install the printer in a location that is unstable or subject to excessive vibration. Do not install the printer in locations that are very humid or dusty, in direct sunlight, outdoors, or close to a heating source. Operation is subject to the following two conditions 1 This device may not cause harmful interference, and 2 this device must accept any interference received, including interference that may cause undesired operation. The Product is warranted against defects in materials and workmanship under normal use and service a for a period of one 1 year from the date of original purchase when delivered to you in new condition in its original container or b for 90 days from the date of original purchase for refurbished Products. This page requires Javascript.

Modify your browsers settings to allow Javascript to execute. See your browsers documentation for specific instructions. To install your download click on the name of the downloaded file.Scroll down to see your support options. You can also click one of these links to search our extensive Knowledge Base or visit the Canon Community Forum. The driver may be included in your OS or you may not need a driver. Recommended Drivers File Name Date File Size Optional Drivers File Name Date File Size Recommended Software File Name Date File Size Optional Software File Name Date File Size Recommended Manuals File Name Date File Size Optional Manuals File Name Date File Size Warranty repair or replacement shall not extend the original warranty period of the Product. A dated proof of purchase is required at the time of warranty service. A copy of your dated bill of sale will satisfy this requirement. This warranty does not cover any accessories, or any consumables, such as paper or ink cartridges, as to which there shall be no warranty or replacement. Repairs of such Canon brand peripheral equipment shall be governed by the terms of the Separate Warranty. The sole warranty, if any, with respect to such nonCanon brand items is given by the manufacturer or

producer thereof. If the problem cannot be corrected over the telephone, and you elect the InstantExchange option, a reference number will be issued to you. You will be asked for the Product serial number and other information pertaining to your Product and for a ship — to location for the replacement Product must include street address. The Canon USA repair facility will ship out the replacement Product prepaid by Canon USA. After receipt of the replacement Product with instructions and a prepaid waybill, follow the enclosed instructions on how to ship your product to the Canon USA repair facility.

Your Product must be returned in the shipping carton in which the replacement Product was packed and include the reference number, A COPY OF YOUR DATED PROOF OF PURCHASE BILL OF SALE, and a complete explanation of the problem. Canon USA does not guarantee same day shipment in the event of the occurrence of factors beyond its reasonable control. The replacement Product you receive may be a refurbished or reconditioned unit and will be covered for the balance of the period remaining on your original limited warranty. InstantExchange warranty service is subject to the availability of refurbished or new replacement units. Canon U.S.A., Inc. One Canon Park Melville, NY 11747 USA Scroll down to easily select items to add to your shopping cart for a faster, easier checkout. Visit the Canon Online Store Perfect for creating any type of Greeting Card with an extensive variety of downloadable templates from the Canon Inc. Glossy finish for impressive photos. Genuine Canon Paper for quality images. An economical choice for great prints. An economical choice for great prints. Optimize output resolution to create nearphotographic images. This paper is great when you want highquality color output to produce winning reports and eye-catching graphics. Use with genuine Canon Photo Inks for true photoquality output. Package includes 100 sheets. Great for portrait and wedding and fine art photography prints. Package includes 50 sheets. Simply print your photos on the included 2 sided paper, slide the pages easily into the album, and share your memories! Simply print your photos on the included 2 sided paper, slide the pages easily into the album, and share your memories! This paper yields a glossy finish and exceptionally right color, giving your images the look and feel of a traditional photograph. Package includes 120 sheets. This paper yields a glossy finish and exceptionally right color, giving your images the look and feel of a traditional photograph. Package includes 50 sheets.

This paper yields a glossy finish and exceptionally right color, giving your images the look and feel of a traditional photograph. Package includes 20 sheets. This paper yields a glossy finish and exceptionally right color, giving your images the look and feel of a traditional photograph. Includes 20 sheets per pack. Learn about the technology behind the paper. Learn about the technology behind the paper. Learn about the technology behind the paper. Learn about the technology behind the paper. Package includes 20 sheets. Package includes 15 sheets. High quality photos print right onto a sticker sheet, so just peel and stick. 16 stickers per sheet. Photo Paper Plus SemiGloss produces vibrant images with low glare and a soft glossy finish for photo lab quality prints right at home. Photo Paper Plus SemiGloss produces vibrant images with low glare and a soft glossy finish for photo lab quality prints right at home. Photo Paper Plus SemiGloss produces vibrant images with low glare and a soft glossy finish for photo lab quality prints right at home. Photo Paper Plus SemiGloss produces vibrant images with low glare and a soft glossy finish for photo lab quality prints right at home. Photo Paper Plus SemiGloss produces vibrant images with low glare and a soft glossy finish for photo lab quality prints right at home. Key Selling Features Print your photos directly from compatible digital cameras, memory cards or mobile phones Features a huge 3.5 inch colour LCD screen for viewing images stored on your memory card Variety of retouch functions including redeye correction no computer required Ultrasharp 1 picolitre FINE technology results in enhanced shading and precise detail for superb images. Manuals and user guide free PDF downloads for Canon PIXMA iP6700D. 31 Mar 2011. Canon says its not a supporting print to disc on this model. View and Download Canon PIXMA iP6210D quick start manual online. Reload to refresh your session.

Reload to refresh your session. Now with ChromaLife100, the photos you print at home can maintain all their vibrancy and colour for 100 years Thanks to ChromaLife100, the precious memories in your albums will still be bright and fresh a century from now. Canon has a range of specialty photo papers that's suitable for virtually every photo size and use. To ensure you gain all the longlasting benefits of ChromaLife100, make sure you choose Canon's Photo Paper Pro, Photo Paper Plus Glossy, Photo Paper Plus Semigloss or Glossy Photo Paper. Or print via Bluetooth with the optional BU20 adaptor. Printing Maintenance. Replacing an Ink Tank.³¹ When Printing Becomes Faint or Colors are Incorrect.³². Troubleshooting. About the Power Plug When removing the power plug after turning off the printer, be sure to check that the POWER lamp is not lit. To change the paper source, use the Feed Switch button on the printer or printer driver. For information on the printer driver settings, refer to the Printer Driver Guide. If the auto sheet feeder runs out of paper, the paper source automatically changes to the cassette.You can use general copy paper or Canons Super White Paper. Printing direction. A maximum of 10 envelopes can be loaded at once. Printing Macintosh Always load paper in portrait orientation. Loading paper in landscape orientation can cause the paper to be jammed. Portrait. Landscape. You can use general copy paper or Canons Super White Paper. You can load up to 150 sheets of plain paper 64 gsm or 17 lb, 13 mm or 0.52 inches in height in the cassette. You can also select the paper source with the printer driver. For details, refer to the Printer Driver Guide. Do not touch the printed surfaces until the ink dries. For specific drying times, refer to the instructions packaged with your media. This may cause paper discoloration due to natural aging. Photo Quality Media. You can use EasyPhotoPrint to easily do print operations when printing photographs.

EasyPhotoPrint is provided on the Setup CDROM. For details on how to use EasyPhotoPrint, refer to the Photo Application Guide.When the cassette lamp is lit, paper is fed from the cassette.Open the printer properties dialog box. Instructions is displayed on the Main and Maintenance tabs only. If the Onscreen Manual is not installed, Instructions is not displayed.Canceling Printing. For details on how to use EasyPhotoPrint, refer to the Photo Application Guide.Load the paper on the printer.You can also cancel a print job by clicking Cancel Printing on the Canon IJ Status Monitor. If you are using Mac OS X v.10.2.8, click on the printer icon in the Dock to start up the Print Center and doubleclick on the name of your printer in the Printer List to open a list of print jobs in progress.The printer properties dialog box can be opened from either within an application, or directly from the Windows Start menu. This manual refers to Windows XP SP2 operation. For details on how to set each function, refer to the Help or Printer Driver Guide. Using the Bundled Software. Color ink is consumed in the head cleaning and deep cleaning, which are necessary to maintain the printers capabilities. Print Errors. Step 1. Problem Possible Cause Try This. Follow the Easy Setup Instructions packaged with your printer for proper printer driver installation. If the installer was forced to be terminated due to an error, Windows may be unstable. Cannot Connect to PC Properly. If your environment is not fully compatible with USB 2.0, the printer will operate at a lower speed provided under USB 1.1. Check the following to ensure that your PC environment supports USB 2.0 HiSpeed connection. Check the print side of the paper. Follow the instructions packaged with your specialty media for loading and handling. Printed Paper Curls or Ink Blots. Paper being used is too thin Incorrect paper type.

Use photo paper such as Canons Photo Paper Pro to print photos or pictures in deep color that have high color saturation. Problem. Possible Cause. Thick paper is used. Try This. Select the Prevent paper abrasion check box to widen the clearance between the Print Head and the loaded paper. Troubleshooting Printer Hardware. Printer Does Not Start or Printer Stops During Print Jobs. Ink tank is empty. If the ink tank lamp is flashing fast, ink is empty. Replace the ink tank and close the cover. There may be problems with your operating system. Restart your computer. It may solve the problem. Delete an undesired print job, if there is any. Remove the paper inside of the printer. Remove the paper inside of the printer Transport Unit. Paper is not loaded Load paper and press the

OK button. If paper is loaded, ensure that the paper source is selected correctly. Ink absorber is The printer has a builtin ink absorber to hold the ink used during print head cleaning, for almost full example. This error message indicates that this ink absorber is nearly full. If using a Canon PictBridgecompatible camera, you can select it. Paper type. There are no user serviceable parts inside the printer. The printer contains highvoltage components. Never attempt any maintenance procedure not described in this guide. Do not use flammable sprays near the printer. Do not transport or store the printer on a slant, vertically or upsidedown, as the ink may leak and damage the printer. These limits are designed to provide reasonable protection against harmful interference in a residential installation. The following ink tanks are compatible with this printer. You may download and use the Content solely for your personal, noncommercial use and at your own risks. Canon shall not be held liable for any damages whatsoever in connection with the Content, including, without limitation, indirect, consequential, exemplary or incidental damages.

You shall also not and shall not let others reproduce, modify, reformat or create derivative works from the Content, in whole or in part. Please try again. Please try again. In order to navigate out of this carousel please use your heading shortcut key to navigate to the next or previous heading. In order to navigate out of this carousel please use your heading shortcut key to navigate to the next or previous heading. Please try your search again later. Its patented print head technology and six ink tanks produce beautiful, longlasting prints with startling color and detail. Plus, you can print from your computer, compatible memory cards, cameras, Bluetooth devices, even camera phones! Its patented print head technology and six ink tanks produce beautiful, longlasting prints with startling color and detail. The extralarge, 3.5inch color LCD viewer lets you enhance images before printing, and advanced paper handling increases your productivity. Plus, you can print from your computer, compatible memory cards, cameras, Bluetooth devices, and even camera phones. Ideal for home use, this economic, highperformance unit looks sleek and stylish on a desktop. The PIXMA iP6700D Photo Printer produces beautiful, longlasting prints with startling color and detail. View larger. This printer makes it easy to print and share digital photos at home. About the iP6700D The iP6700D is an extremely user friendly, efficient machine designed to meet all your printing needs in one compact, stylish unit. Want to print out photos taken over the weekend, or fill an album with baby pictures right after your child takes his or her first steps. Need a hard copy of directions to a friends house or information from a web page. The single function iP6700D gives you more choices, more features and a better value, no matter what your needs. It also works fast, offering print speeds of 47 seconds for 4 x 6 inch borderless photos and 76 seconds for 8 x 10 inch photos.

And the builtin two sided printing feature and second paper tray drastically reduce wait times. In addition, the iP6700D utilizes Canon Fullphotolithography Inkjet Nozzle Engineering FINE technology and the ChromaLife100 ink system to produce highquality, longlasting photos. With smart LED equipped ink tanks and the Canon Advanced Paper Handling System, the iP6700D has the capabilities of a photo kiosk built right in. Easy Operation and Exceptional Resolution The iP6700D features 3,072 precision nozzles that create exceptional resolution of up to 9600 by 2400 color dots per inch dpi. Youll also enjoy amazing, eyecatching detail in every print, thanks to microscopic onepicoliter sized ink droplets. Two highintensity photo inks plus four conventional inks equals precise, lifelike color. You get all this with simple, convenient operation. First, the iP6700D gives you the option to preview before you print. This way, you can finetune your images before you commit to printing them out. When youre ready, just connect your PictBridge ready digital camera, DV camcorder, or compatible memory card and print. Its truly that simple. For added convenience, the iP6700 also lets you print wirelessly right from your infraredenabled mobile camera phone, or a compatible Bluetooth device, using the optional USB Bluetooth adapter. You can do all this quickly and easily thanks to the USB 2.0 interface, which enables the fastest possible image transfers. Canon ChromaLife100 System For Image Permanence The iP6700D uses Canons ChromaLife100 system, including FINE print head technology for vivid photo printing. When using select genuine

Canon photo papers and inks, prints can resist fading for up to 100 years when stored in an archival quality photo album. The 100yearlifespan rivals that of many traditional film based photos, long considered by consumers to be the benchmark for image permanence.

Prints produced on Canon Photo Paper Pro with ChromaLife100 inks have an up to 10year gas fastness when exposed to open air. Additionally, ChromaLife100 prints, when created using Canon Photo Paper Pro or Photo Paper Plus Glossy, have up to 30year lightfastness when displayed under glass. Canon FINE Engineering Launched globally by Canon in 1999, the Canon Fullphotolithography Inkjet Nozzle Engineering FINE advanced print head technology is one of the keys to the impressive speed and high photo quality in PIXMA photo printers. FINE technology uses a groundbreaking highperformance, multinozzle print engine that ejects consistent and microscopic ink droplets. The results are highresolution photos with great detail and clarity in less time. Whats in the Box Pixma iP6700D photo printer, print head, ink tanks CLI8 black, CLI8 cyan, CLI8 magenta, CLI8 yellow, CLI8 photo cyan, CLI8 photo magenta, power cord, easy setup instructions, document kit setup software and users guide CDROM, quick start guide, direct printing guide, registration card, and cross sell sheet.To calculate the overall star rating and percentage breakdown by star, we don't use a simple average. Instead, our system considers things like how recent a review is and if the reviewer bought the item on Amazon. It also analyzes reviews to verify trustworthiness. Please try again later. F. R. Light Jr. 5.0 out of 5 stars I have always been amazed at the quality of the photo prints this printer produces and it functions well enough for documents when the need arises. Although Canon did not issue specific drivers for Windows 10 for this model I have had no issues getting it to work in the Windows 10 environment using Windows 8.1 drivers. I have never used off brand ink cartridges, always Canon cli 8s. I also stick with Canon photo paper for photos. I dont know if that contributed to the long life of my first ip6700D, but it almost certainly didnt hurt.